



Drone Single

Manel Llusçà

Wall fixture Drone Single LED 8.6 LED warm-white 2700K ON-OFF White 350lm

Technical features

Luminaire total power: 8.6W

Real lumens: 350

Real lm/W: 41

Correlated Colour Temperature (CCT): LED warm-white 2700K

Lens / reflector angle: FLOOD 95°

UGR: <=22

Structure material: Aluminium

Structure finish: White

Diffuser material: Aluminium

Diffuser finish: Chrome

Driver Brand: HEP

Voltage / frequency: 100-277V/50-60Hz

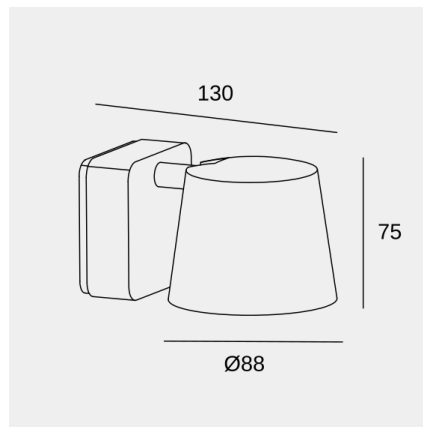
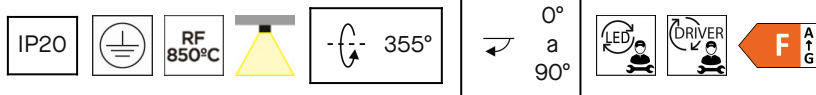
Dimming protocol: ON-OFF

Power Factor: 0.40

Useful life: 50,000h L80B20

Warranty: 5 años

Easily recyclable luminaire



Luminotechnic features

CRI: 80

MacAdam steps: 2

Photobiological risk: RG1

UGR crosswise: 20.3

UGR lengthwise: 20.2

Lampholder	Quantity	Light source power (W)	Correlated Colour Temperature (CCT)
LED	1	7W	LED warm-white 2700K

Image may not match reference. LedsC4 reserves the right to amend any of the product's components. The data related to flux, power and colour temperature may be subject to changes made by the manufacturer.



Drone Single

Manel Llusçà

Wall fixture Drone Single LED 8.6 LED warm-white 2700K ON-OFF White 350lm

Light application



Image may not match reference. LedsC4 reserves the right to amend any of the product's components. The data related to flux, power and colour temperature may be subject to changes made by the manufacturer.