



Drone Double

Wall fixture Drone Double LED 16.3 LED warm-white 2700K ON-OFF White 613lm

Technical features

- Luminaire total power: 16.3W
- Real lumens: 613
- Real lm/W: 38
- Correlated Colour Temperature (CCT): LED warm-white 2700K
- UGR: <=22
- Structure material: Aluminium
- Structure finish: White
- Diffuser material: Aluminium
- Diffuser finish: Chrome
- Voltage / frequency: 220-240V/50-60Hz
- Dimming protocol: ON-OFF
- Power Factor: 0.90
- Useful life: 50,000h L80B20
- Warranty: 5 años
- Easily recyclable luminaire



Luminotechnic features

- CRI: 80
- MacAdam steps: 2
- Photobiological risk: RG1
- UGR crosswise: 20.3
- UGR lengthwise: 20.2

Lampholder	Quantity	Light source power (W)	Correlated Colour Temperature (CCT)
LED	1	14W	LED warm-white 2700K

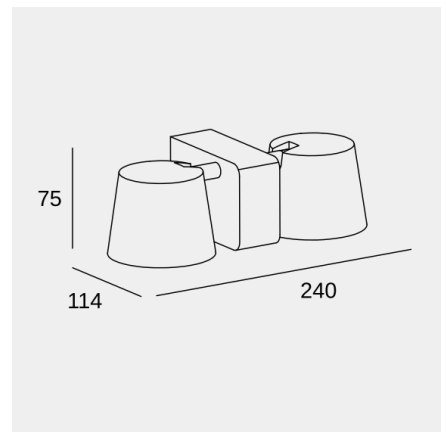


Image may not match reference. LedsC4 reserves the right to amend any of the product's components. The data related to flux, power and colour temperature may be subject to changes made by the manufacturer.



Drone Double

Wall fixture Drone Double LED 16.3 LED warm-white 2700K ON-OFF White 613lm

Light application



Image may not match reference. LedsC4 reserves the right to amend any of the product's components. The data related to flux, power and colour temperature may be subject to changes made by the manufacturer.