



Levels 1 Body Ø420mm

Nahtrang Design

Table lamp Levels 1 Body Ø420mm LED 14.7 SW 2700-3000-4000K 3 STEPS DIMMING Black 971lm

Technical features

Luminaire total power: 14.7W
 Real lumens: 971 (3000K)
 Real lm/W: 66
 Correlated Colour Temperature (CCT): SW 2700-3000-4000K
 Lens / reflector angle: HORIZONTAL 102°
 Structure material: Steel
 Structure finish: Black
 Diffuser material: Glass
 Diffuser finish: Fumé
 Driver Brand: MEAN WELL
 Voltage / frequency: 100-240V/50-60Hz
 Dimming protocol: 3 STEPS DIMMING
 Power Factor: NULL
 Useful life: 50,000h L80B20
 Warranty: 5 años
 Easily recyclable luminaire



Luminotechnic features

CRI: 90
 MacAdam steps: 3
 Photobiological risk: RG1

| Lampholder | Quantity | Light source power (W) |
|------------|----------|------------------------|
| LED | 1 | 11.8W |

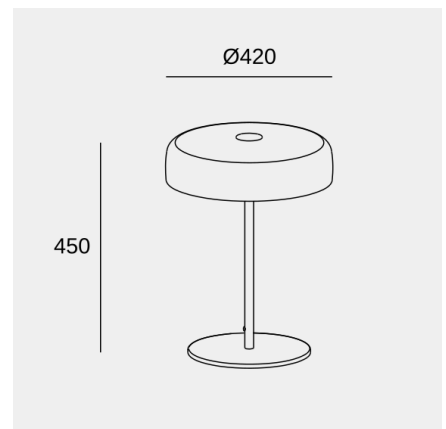


Image may not match reference. LedsC4 reserves the right to amend any of the product's components. The data related to flux, power and colour temperature may be subject to changes made by the manufacturer.



Levels 1 Body Ø420mm

Nahtrang Design

Table lamp Levels 1 Body Ø420mm LED 14.7 SW 2700-3000-4000K 3 STEPS DIMMING Black 971lm

Light application



Image may not match reference. LedsC4 reserves the right to amend any of the product's components. The data related to flux, power and colour temperature may be subject to changes made by the manufacturer.