



WEVER & DUCRÉ  
LIGHTING

# DEEP ADJUST 2.0 PAR16

112720W0

Project	.....
Type	.....
Notes	.....
Quantity	.....
Date	.....

## GENERAL

Ceiling  
 Recessed  
 Signal White  
 IP20  
 Interior  
 655 lm  
 9003<sup>a</sup>

## LED

Lamp 2 x PAR16  
 PAR16  
 Socket GU10  
 max. 12 W

## OPTICAL

Wide Flood  
 Beam angle 48°

## PHYSICAL

Length 182 mm  
 Width 94 mm  
 Height 102 mm  
 0.42 kg  
 Standard Springs  
 Tilt min 35°  
 Tilt max 35°  
 Rotation 355°

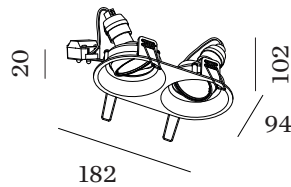
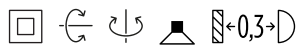
## ELECTRICAL

100 - 240 V  
 Total connected power 15 W  
 PC2  
 Safety distance 0.3 m

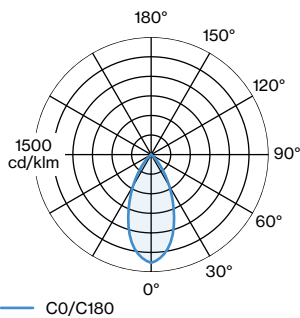
## CUTOUT

Length 172 mm  
 Width 86 mm  
 Min. ceiling thickness 4 mm  
 Max. ceiling thickness 23 mm  
 Recessed depth 105 mm

<sup>a</sup> RAL Palette colors may deviate slightly due to production conditions.



## LIGHT DISTRIBUTION





WEVER & DUCRÉ  
LIGHTING

# DEEP ADJUST 2.0 PAR16

112720W0

## CONE DIAGRAM

wide flood 48°

h (m)	EO° (lx)	ø (m)
1	921	0.89
2	230	1.78
3	102	2.67
4	57	3.56
5	36	4.45

## LED LAMPS

### PAR16 LED Lamp

TYPE	COLOUR	Ø · H (MM)	ORDERCODE
2700K   GU10	Jet Black	ø50-58	9 0 1 2 2 8 B 3
3000K   GU10	Jet Black	ø50-58	9 0 1 2 2 8 B 5
2700K   GU10	Signal White	ø50-58	9 0 1 2 2 8 W 2
2700K   GU10	Signal White	ø50-58	9 0 1 2 2 8 W 3
3000K   GU10	Signal White	ø50-58	9 0 1 2 2 8 W 4

### PAR16 LED Lamp | Ambient

TYPE	Ø · H (MM)	ORDERCODE
1800-2850K   GU10	ø50-58	9 0 1 2 2 9 S 9

## MOUNTING

### Spring clip

TYPE	COLOUR	(MM)	ORDERCODE
MR16   LED   PAR16   max. 12W		59	7 3 2 4 0 2 0 3
MR16   LED   PAR16   max. 12W	Pure White		7 3 2 4 0 6 5 1
MR16   LED   PAR16   max. 12W	Signal Black		7 3 2 4 0 6 5 2
MR16   LED   PAR16   max. 12W	Gold		7 3 2 4 0 9 4 0
MR16   LED   PAR16   max. 12W	Grey		7 3 2 4 0 9 4 1
MR16   LED   PAR16   max. 12W	Copper		7 3 2 4 0 9 4 2