



WEVER & DUCRÉ
LIGHTING

SOLID 1.0 PAR16

133120B0

| |
|----------|
| Project |
| Type |
| Notes |
| Quantity |
| Date |

GENERAL

Ceiling
 Surface
 Jet Black
 IP20
 Interior
 320 lm
 9005^a

LED

Lamp PAR16
 PAR16
 Socket GU10
 max. 12 W
 2700 K
 CRI 90

OPTICAL

Beam angle 48°

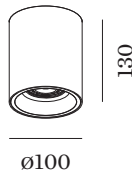
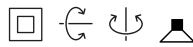
PHYSICAL

Diameter 100 mm
 Height 130 mm
 0.61 kg
 Tilt min 25°
 Tilt max 25°
 Rotation 355°

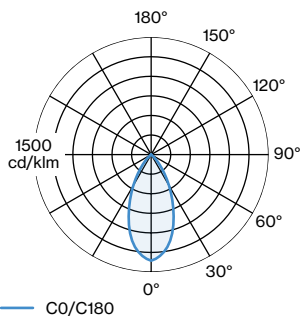
ELECTRICAL

100 - 240 V
 Total connected power 8.6 W
 PC2
 Safety distance 0.9 m

^a RAL Palette colors may deviate slightly due to production conditions.



LIGHT DISTRIBUTION





WEVER & DUCRÉ
LIGHTING

SOLID 1.0 PAR16

133120B0

CONE DIAGRAM

48°

| h (m) | E0° (lx) | ø (m) |
|-------|----------|-------|
| 1 | 451 | 0.89 |
| 2 | 113 | 1.78 |
| 3 | 50 | 2.67 |
| 4 | 28 | 3.56 |
| 5 | 18 | 4.45 |

LED LAMPS

PAR16 LED Lamp

| TYPE | COLOUR | Ø · H (MM) | ORDERCODE |
|--------------|--------------|------------|-----------------|
| 2700K GU10 | Jet Black | ø50-58 | 9 0 1 2 2 8 B 3 |
| 3000K GU10 | Jet Black | ø50-58 | 9 0 1 2 2 8 B 5 |
| 2700K GU10 | Signal White | ø50-58 | 9 0 1 2 2 8 W 2 |
| 2700K GU10 | Signal White | ø50-58 | 9 0 1 2 2 8 W 3 |
| 3000K GU10 | Signal White | ø50-58 | 9 0 1 2 2 8 W 4 |

PAR16 LED Lamp | Ambient

| TYPE | Ø · H (MM) | ORDERCODE |
|-------------------|------------|-----------------|
| 1800-2850K GU10 | ø50-58 | 9 0 1 2 2 9 S 9 |