

# ELLISSE PENDANT TRIPLE

*Federico Palazzari*

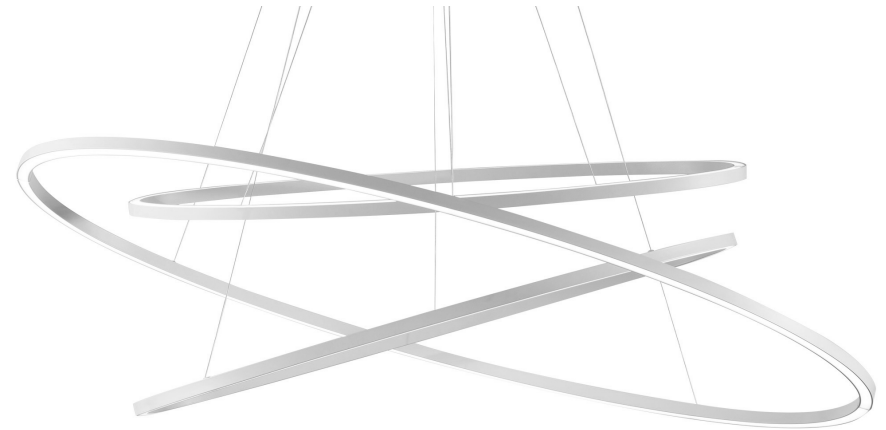
Collection of LED pendants, floor/wall lamps available in different versions: major, minor, double, triple and mega provides a direct or indirect diffused light.

In extruded aluminum in different versions: matt lacquered in the finishes, white, black and gold, natural polished and gold polished anodized.

Equipped with an opal diffuser.

The lamps are made using a proprietary extrusion coupling technology.

Ellisse Major is also available as floor or wall versions and is provided with a black marble base or a wall hook accessory.



# LED 2700K

## LAMPING

|                   |   |
|-------------------|---|
| Source            | linear LED  |
| Total power       | 90W   |
| Emission          | diffused orientable uplight(minor), diffused orientable downlight (major/minor) |
| Switching         | dimmable 1-10V  |
| Tension           | 110/240V  |
| Color temperature | 2700K   |
| Luminous flux     | 1325+2050+1325lm  |
| Typ cri           | 85  |
| Energy class      | A+  |
| Materials         | Aluminium   |
| Notes             | adjustable cable length from 2,5 to 0,4 m, DALI version on request              |
| Net lamp weight   | 5 kg  |

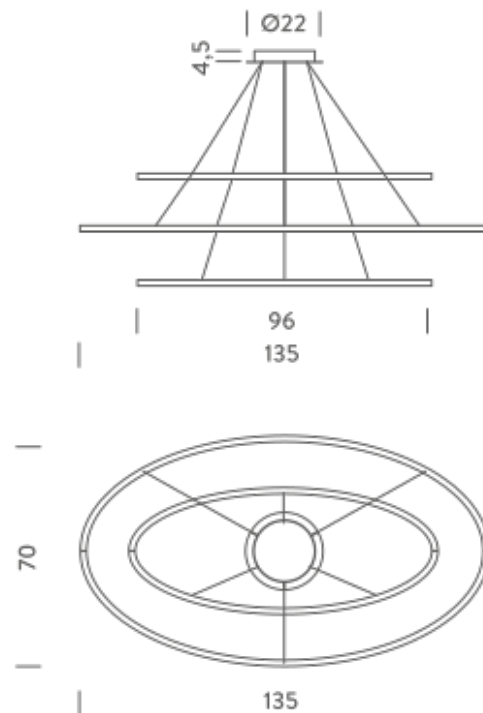
## Codes

|            |                              |
|------------|------------------------------|
| ELP LW2 57 | white/white                  |
| ELP LN2 57 | black/white                  |
| ELP LL2 57 | polished aluminium/white     |
| ELP LO2 57 | gold painted/white           |
| ELP LGW 57 | gold polished anodized/white |

## PACKAGE

|            |  |
|------------|--|
| Package 01 | Dimension: 80x150x15 cm / Gross weight: 7,5 kg |
|------------|--|

## Certificazioni



# LED 3000K

## LAMPING

|                   |   |
|-------------------|---|
| Source            | linear LED  |
| Total power       | 90W   |
| Emission          | diffused orientable uplight(minor), diffused orientable downlight (major/minor) |
| Switching         | dimnable 1-10V  |
| Tension           | 110/240V  |
| Color temperature | 3000K   |
| Luminous flux     | 1325+2050+1325lm  |
| Typ cri           | 85  |
| Energy class      | A+  |
| Materials         | Aluminium   |
| Notes             | adjustable cable length from 2,5 to 0,4 m, DALI version on request              |
| Net lamp weight   | 5 kg  |

## Codes

ELP LWW 57  
ELP LNW 57  
ELP LLW 57  
ELP LOW 57

## Structure/Diffuser

white/white  
black/white  
polished aluminium/white  
gold painted/white

## PACKAGE

Package 01 Dimension: 15x80x150 cm / Gross weight: 7,5 kg

## Certificazioni

