

Limbus Frosted Modular



Emanuele Ricci, 2023



Suspension downlighting lamp in Bohemian crystal frosted glass, internally shaped to work as an optical lens. The metal parts are made in lathed aluminium. 1-10V and DALI dimming compatible. The lamp must be mounted with the dedicated ceiling rose.

FINISHINGS

Black
3000K - cod. 190FM101X000
2700K - cod. 190FM101XOK27

Aluminum
3000K - cod. 190FM12200
2700K - cod. 190FM122K27

Brass
3000K - cod. 190FM150X000
2700K - cod. 190FM150XOK27

ALL RAL COATING AND GALVANIC FINISHES AVAILABLE UPON REQUEST

LIGHT EMISSION

Light source power: 4,1W
Power absorption: 4,1W
Light Emission: Diffuse
Light Direction: Downlight
Light Source: Discrete LED
Source Flux 3000K: 537lm@350mA
Emitted Flux 3000K: 229 lm

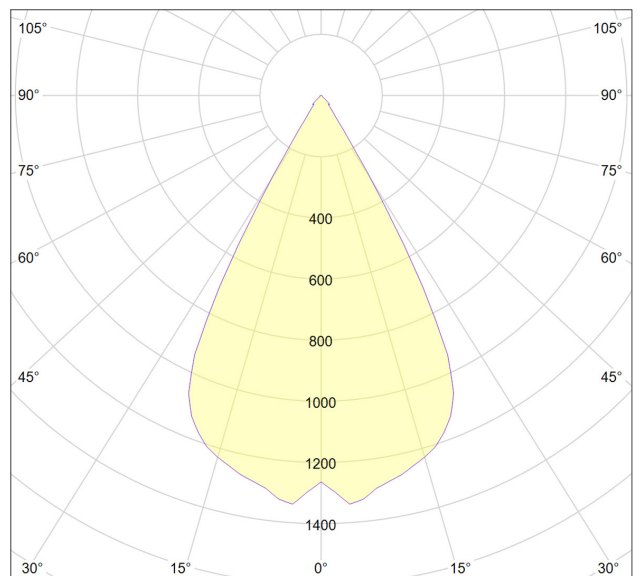
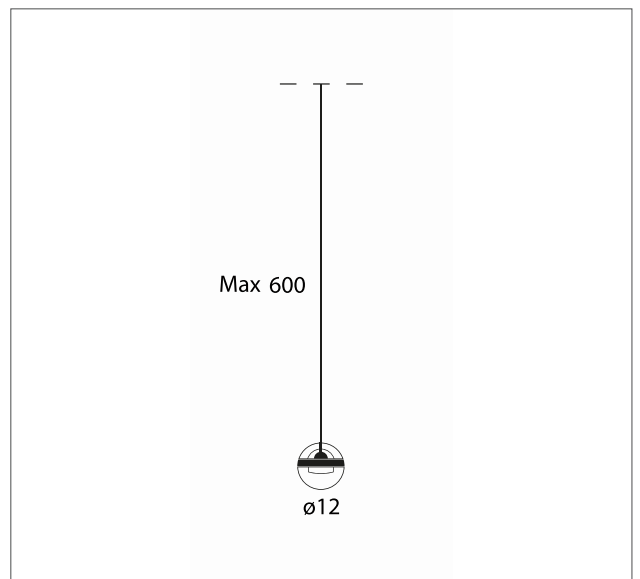
Efficacy 3000K: 55 lm/W
Source Flux 2700K: 468lm@350mA
Emitted Flux 2700K: 215lm
Efficacy 2700K: 53lm/W
CCT: 2700/3000K
CRI: 90
Lifetime: >55000h

ELECTRICAL FACTS

Stand-by absorption: N/A
Mains Voltage: ----
Master output: ----
Ta max: 40°C

PACKAGING DATA

Box dimensions: 21x21x27 cm
Volume: 0,012 m³
Gross weight: 2,7 kg



Limbus Modular



Emanuele Ricci, 2019



Suspension downlighting lamp in Bohemian crystal glass, internally shaped to work as an optical lens. The metal parts are made in lathed aluminium. 1-10V and DALI dimming compatible. The lamp must be mounted with the dedicated ceiling rose.

FINISHINGS

Black
3000K - cod. 190M101X000
2700K - cod. 190M101XOK27

Aluminum
3000K - cod. 190M12200
2700K - cod. 190M122K27

Brass
3000K - cod. 190M150X000
2700K - cod. 190M150XOK27

ALL RAL COATING AND GALVANIC FINISHES AVAILABLE UPON REQUEST

LIGHT EMISSION

Light source power: 4,1W
Power absorption: 4,1W
Light Emission: Diffuse
Light Direction: Downlight
Light Source: Discrete LED
Source Flux 3000K: 537lm@350mA
Emitted Flux 3000K: 233 lm

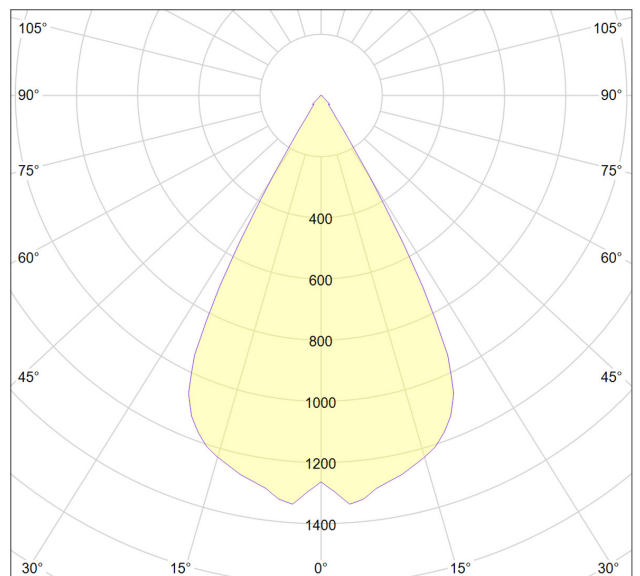
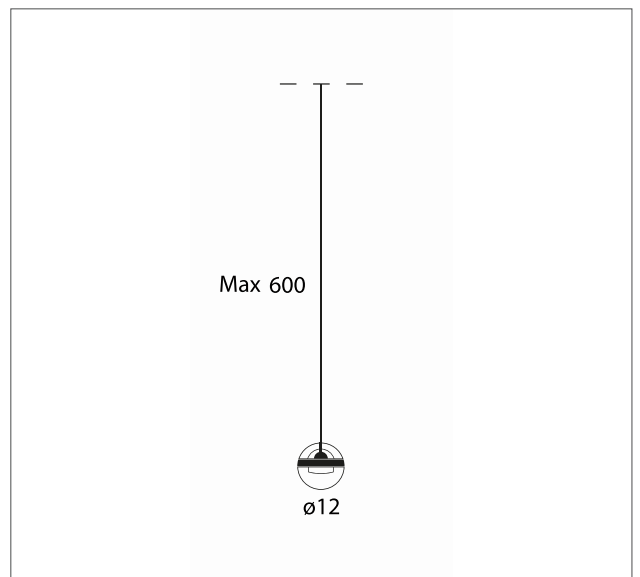
Efficacy 3000K: 57 lm/W
Source Flux 2700K: 468lm@350mA
Emitted Flux 2700K: 220lm
Efficacy 2700K: 57lm/W
CCT: 2700/3000K
CRI: 90
Lifetime: >55000h

ELECTRICAL FACTS

Stand-by absorption: N/A
Mains Voltage: ----
Master output: ----
Ta max: 40°C

PACKAGING DATA

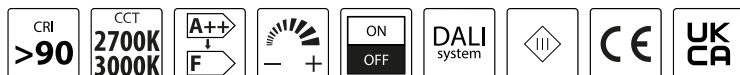
Box dimensions: 21x21x27 cm
Volume: 0,012 m³
Gross weight: 2,7 kg



Limbus Mono Dali



Emanuele Ricci, 2019



Suspension downlighting lamp in Bohemian crystal glass, internally shaped to work as an optical lens. The metal parts are made in lathed aluminium. DALI dimming version.

FINISHINGS

Black

3000K - cod. 190DD01X000
2700K - cod. 190DD01XOK27

Aluminum

3000K - cod. 190DD2200
2700K - cod. 190DD22K27

Brass

3000K - cod. 190DD50X000
2700K - cod. 190DD50XOK27

ALL RAL COATING AND GALVANIC FINISHES AVAILABLE UPON REQUEST

LIGHT EMISSION

Light source power: 4,1W
Power absorption: 6,5W
Light Emission: Diffuse
Light Direction: Downlight
Light Source: Discrete LED
Source Flux 3000K: 537lm@350mA
Emitted Flux 3000K: 233 lm

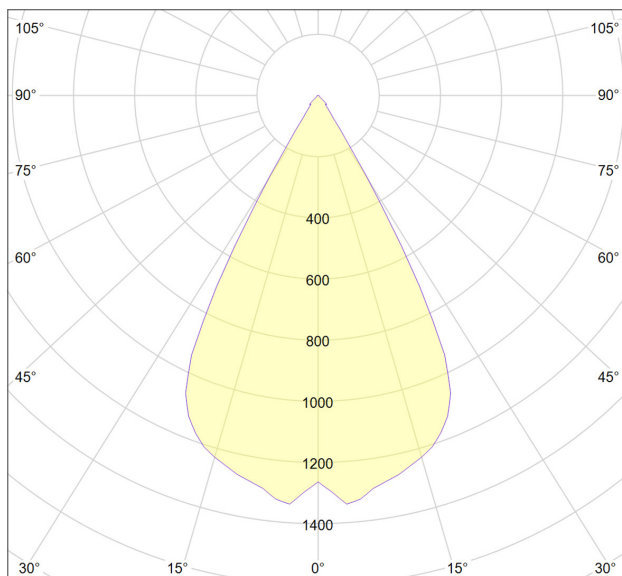
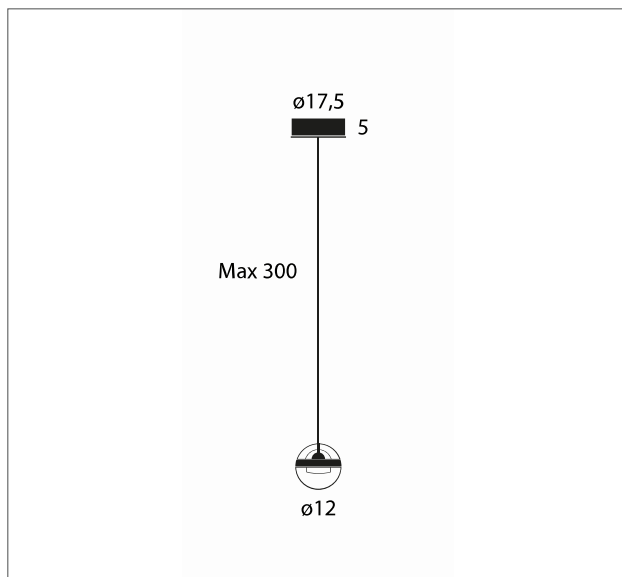
Efficacy 3000K: 36 lm/W
Source Flux 2700K: 468lm@350mA
Emitted Flux 2700K: 220lm
Efficacy 2700K: 34lm/W
CCT: 2700/3000K
CRI: 90
Lifetime: >55000h

ELECTRICAL FACTS

Stand-by absorption: <0.5
Mains Voltage: 100/264VAC
Master output: 350mA
Ta max: 40°C

PACKAGING DATA

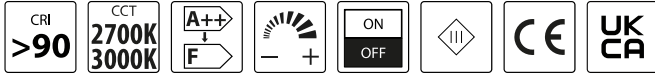
Box dimensions: 21x21x27 cm
Volume: 0,012 m³
Gross weight: 3,5 kg



Limbus Mono On-Off



Emanuele Ricci, 2019



Suspension downlighting lamp in Bohemian crystal glass, internally shaped to work as an optical lens. The metal parts are made in lathed aluminium. 1-10V dimming version.

FINISHINGS

Black
3000K - cod. 190D01X000
2700K - cod. 190D01XOK27

Aluminum
3000K - cod. 190D2200
2700K - cod. 190D22K27

Brass
3000K - cod. 190D50X000
2700K - cod. 190D50XOK27

ALL RAL COATING AND GALVANIC FINISHES AVAILABLE UPON REQUEST

LIGHT EMISSION

Light source power: 4,1W
Power absorption: 6,5W
Light Emission: Diffuse
Light Direction: Downlight
Light Source: Discrete LED
Source Flux 3000K: 537lm@350mA
Emitted Flux 3000K: 233 lm

Efficacy 3000K: 36 lm/W
Source Flux 2700K: 468lm@350mA
Emitted Flux 2700K: 220lm
Efficacy 2700K: 34lm/W
CCT: 2700/3000K
CRI: 90
Lifetime: >55000h

ELECTRICAL FACTS

Stand-by absorption: <0.5
Mains Voltage: 100/264VAC
Master output: 350mA
Ta max: 40°C

PACKAGING DATA

Box dimensions: 21x21x27 cm
Volume: 0,012 m³
Gross weight: 3,5 kg

